

The powerful press range in four colours

**Price
catalogue**
valid from
January 1, 2022



Toggle presses



Rack and pinion presses

Manual Presses

- Brings colour to your production process
- All models available in four colours
- Available in blue, yellow, white or red
- Use colours for departments or products
- Black press-frame

CL 500 K
5.0 kN



€ 314.00

CL 750 K
7.5 kN



€ 421.00

CL 1200 K
12.0 kN



€ 562.00

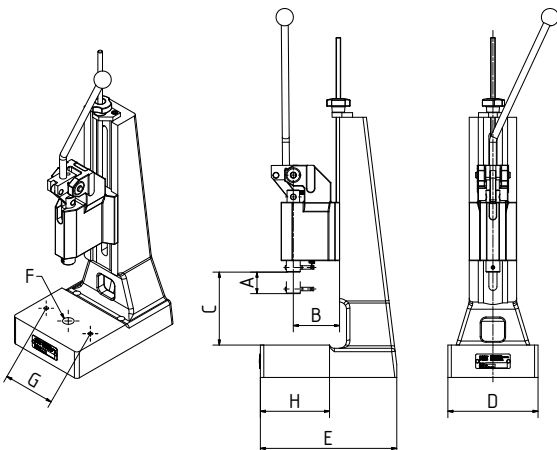
Type			CL 500 K	CL 750 K	CL 1200 K
Capacity	kN		5.0	7.5	12.0
Working stroke	mm	A	40	40	44
Throat	mm	B	63	80	80
Daylight	mm	C	40-210	50-260	53-230
Table size	mm	DxH	110x60	157x115	157x115
Table bore Ø	mm	F	20	20	20
Fixing holes			2 x M 8	2 x M 10	2 x M 10
Hole pitch	mm	G	66	108	108
Ram bore Ø x Depth	mm		10 ^{H7} x 25	10 ^{H7} x 25	10 ^{H7} x 30
Ram Ø			20	24	30
Required space	mm	DxE	110x160	157x237	157x237
Weight	ca. kg		8.5	21	24

Toggle presses only produce their full force 1 mm before the end of the stroke.

The advantages:

- **Height adjustment of press head**
by threaded spindle
- **High output power** with moderate input force
- **Accuracy** thanks to precise ram guidance
- **Accurately machined press table** with
2 tool-fixing threads
- **Highly versatile table bore**

Ideal for rational assembly, embossing, punching, riveting, bending and forming.



CAD files can be downloaded from colourline-pressen.de

* When used appropriately
Excludes wearing parts (springs)

Rack and pinion presses transmit manual force constantly over the whole stroke.

The advantages:

- Height adjustment of press head by threaded spindle
- Fine control thanks to direct transmission
- Stroke depth adjustable by set screw
- Ergonomically adjustable hand lever (360°)
- Accurately machined press table with 2 tool-fixing threads
- Highly versatile table bore

Ideal for delicate pressing and bending work.

CL 150 Z
1.5 kN



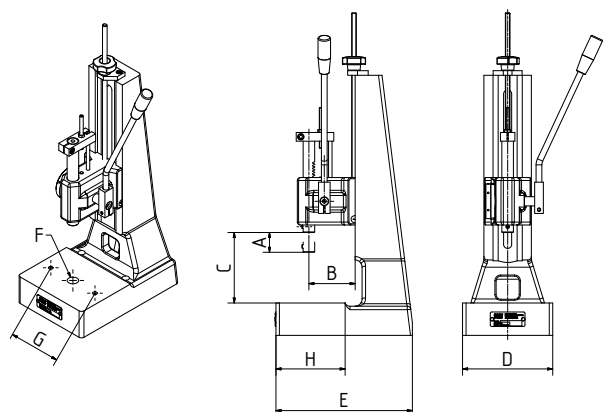
€ 314.00

CL 250 Z
2.5 kN



€ 474.00

Type			CL 150 Z	CL 250 Z
Capacity	kN		1.5	2.5
Working stroke	mm	A	40	50
Throat	mm	B	63	80
Daylight	mm	C	50-240	45-295
Table size	mm	DxH	110x60	157x115
Table bore Ø	mm	F	20	20
Fixing holes	mm		2 x M 8	2 x M 10
Hole pitch	mm	G	66	108
Ram bore Ø x Depth	mm		10 ^{H7} x 25	10 ^{H7} x 25
Ram Ø	mm		20	20
Required space	mm	DxE	110x160	157x237
Weight	ca. kg		7.5	20.5



3 brands
One company



maederpressen.de



Product range

mäder presses

Over 100 basic models
Capacities from 30 N to 100 kN



Benzing metrology line:

Comparator stands



Run-out testers



horst-benzing.de



The powerful press range in four colours

mäder pressen GmbH

Robert-Bosch-Str. 13

78579 Neuhausen ob Eck

Germany

Tel.: +49 (0) 74 67 - 94 67 - 0

Fax: +49 (0) 74 67 - 94 67 - 50

info@maederpressen.de

colourline-pressen.de

Our special prices are valid for Germany and Switzerland only.
Prices may vary in other countries. Please ask your local dealer.

Prices, terms of delivery and payment

All prices are net ex works (EXW) in EUR plus value added tax if applicable and including packaging for shipment in EU countries. Our terms of payment are prepayment before shipment.

Shipment will be made either by parcel service or forwarding agent.

Our complete terms and conditions are available under
<https://www.maederpressen.de/>
English:AGB:AGB.asp

Quantity discount per order

2% from 3 presses on
3% from 5 presses on
4% from 7 presses on
5% from 10 Pressen on

Precision made in Germany